

Derby



Shown in fabric 100CR-43, throw pillow fabric (TP) 100CR-43, Chocolate wood finish.

P602-002 Sofa: L88 x D39 x H36
cm: L224 x D99 x H91

Seat Height: 22" Seat Depth: 24" Arm Height: 28" Distance Between Arms: 72"



Shown in fabric 11005-55, throw pillow fabric (TP) 36677-34, Chocolate wood finish.

Overall Height: 36" Seat Height: 22" Seat Depth: 24" Arm Height: 28"

ALSO AVAILABLE:

88" Sofa with Bench Seat(-022) • 94" Sofa(-003) • 94" Sofa with Bench Seat(-033)
Chair 1/2(-068) • Ottoman(-075) • Chair 1/2 Chaise Ottoman(-085) • Chair 1/2 Chaise Ottoman Top(-086)

All available Upholstered and Slipped
See back for details and ordering information.

Derby

Standard Features	P602-002 P602-022	P602-003 P602-033	P602-068	P602-075	P602-085	P602-086
Loose Pillow Back	✓	✓	✓	N/A	N/A	N/A
Suspension System	sinuous	sinuous	sinuous	webbing	webbing	webbing
Two 22" Non-Welted Down-Blend Throw Pillows (TP)	✓	✓	✓(1)	N/A	N/A	N/A
Harmony Cushion	✓	✓	✓	✓	✓	✓
Wooden Leg Finish Choices	✓	✓	✓	✓	✓	✓
Options - See Price List for Prices						
Cloud Cushion	✓	✓	✓	✓	✓	✓
Extra Throw Pillows (XP)	✓	✓	N/A	N/A	N/A	N/A

Pattern Availability: RG, PS, NM, RS

This is a suggested application. Application is subject to change.
 Sizes and Dimensions will vary from piece to piece due to the individual hand craftsmanship used in every style we produce.
 All furniture style names are for internal reference only, not intended for commercial use.

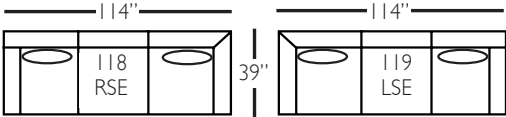
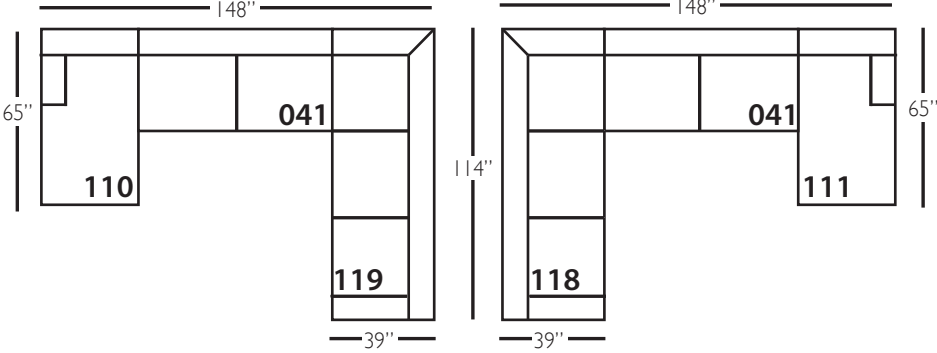
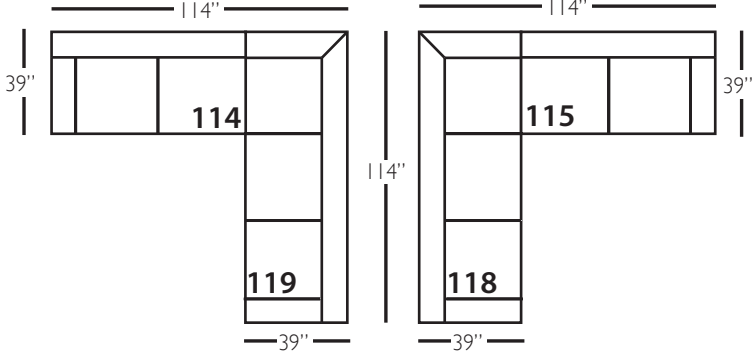
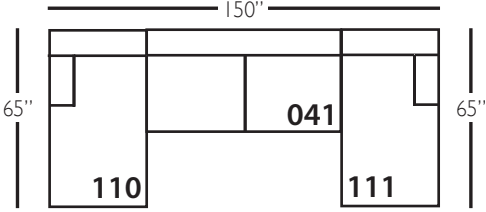
Derby Sectional

Standard Features	P602-041 Large Armless	P602-061 Small Armless	P602-110/111 Right/Left Chaise	P602-114/115 Right/Left Two Seated End	P602-118/119 Right/Left Three Seated End w/ Corner
Loose Pillow Back	✓	✓	✓	✓	✓
One 22" Non-Welted Down-Blend Throw Pillow (TP)	N/A	N/A	✓	✓	✓ (2)
Wooden Leg Finish Choices	✓	✓	✓	✓	✓
Harmony Cushion	✓	✓	✓	✓	✓
Suspension System	sinuous	sinuous	sinuous	sinuous	sinuous
Options - See Price List for Prices					
Extra Throw Pillows (XP)	N/A	N/A	✓	✓	✓
Cloud Cushion	✓	✓	✓	✓	✓

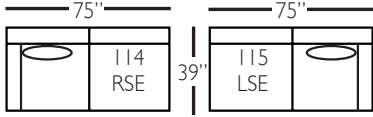
Pattern Availability: RG, PS, NM, RS

This is a suggested application. Application is subject to change.
 Sizes and Dimensions will vary from piece to piece due to the individual hand craftsmanship used in every style we produce.
 All furniture style names are for internal reference only, not intended for commercial use.

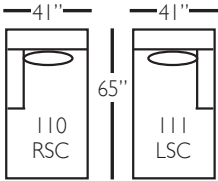
Derby Sectional



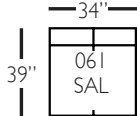
P602-118 - RSE
P602-119 - LSE



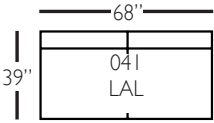
P602-114 - RSE
P602-115 - LSE



P602-110 - RSC
P602-111 - LSC



P602-061 - SAL



P602-041 - LAL