

ECLECTIC.SPIRITED.WONDERFULLY COMFORTABLE.

DOMINIC SECTIONAL • UPHOLSTERED • LOOSE PILLOW BACK



Shown in fabric 21572-80 with throw pillows in fabric BW102-83

Wedge Corner - 011
L73" D40" H32"

Two Seat End - 244/245
RSE/LSE
L62" D40" H32"

Seat Height 18"
Seat Depth 27"
Arm Height 26"

This is a suggested application. Application is subject to change.
Sizes and Dimensions will vary from piece to piece due to the individual hand craftsmanship used in every style we produce.
All furniture style names are for internal reference only, not intended for commercial use.

DOMINIC SECTIONAL COLLECTION			
	Wedge Corner	RSE 2-Seat End	LSE 2-Seat End
Standard Features			
20" Down-Blend Throw Pillow (TP1)	x (1 Pair)	x (1 Single)	x (1 Single)
20" Down-Blend Throw Pillow (TP2)	x (1 Single)	x (1 Single)	x (1 Single)
Cloud Cushion	x	x	x
Webbing Underconstruction	x	x	x
Options - See Price List for Prices			
Luxe Cushion	N/C	N/C	N/C
Cloud Plus Cushion	x	x	x
Nails Available- See price list for upcharge	x	x	x
Extra Pillows (XP)- 20" TP	x	x	x
Ordering Instructions			
To Order, Please write the following:	Dominic-011	Dominic-244	Dominic-245

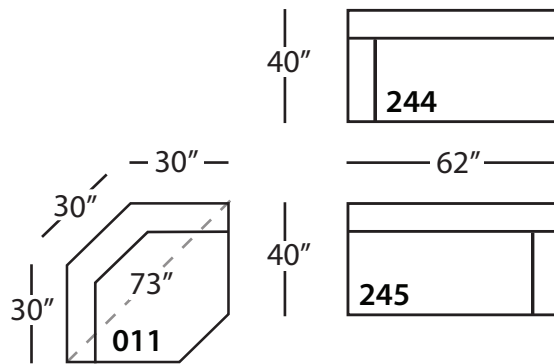
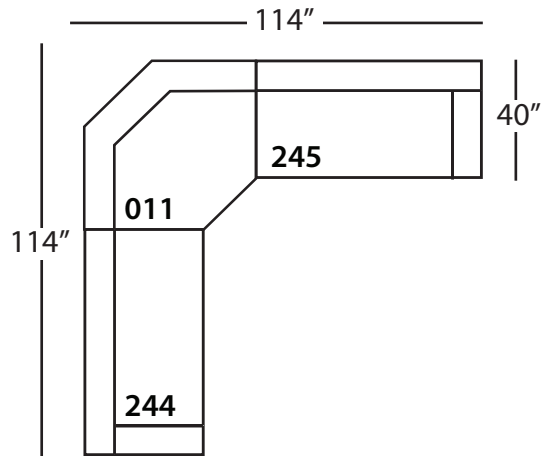
Pattern Availability: RG, PS, NM, RS

NOTE:

PS, NM, and RS pattern types will have seams on cushion, front seat rail, in-back, and out-back at cushion break.

ECLECTIC.SPIRITED.WONDERFULLY COMFORTABLE.

DOMINIC SECTIONAL • UPHOLSTERED • LOOSE PILLOW BACK



Wedge Corner*
L73" D40" H32"

**available as right or left seated*

Two Seat End*
L62" D40" H32"

**available as right or left seated*